



DC to VHF DIFFERENTIAL VIDEO AMPLIFIER

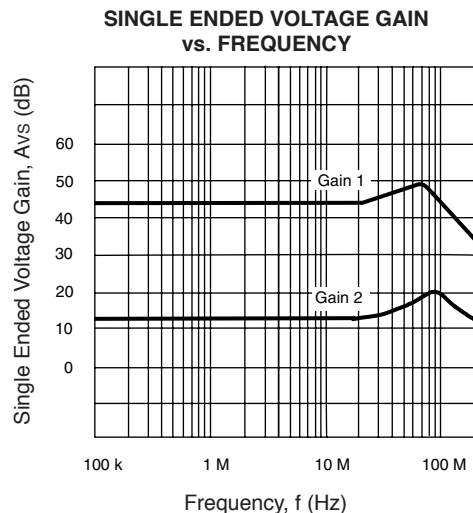
UPC1663GV

FEATURES

- **BANDWIDTH AND TYPICAL GAIN:**
120 MHz at $A_{VOL} = 300$
170 MHz at $A_{VOL} = 100$
700 MHz at $A_{VOL} = 10$
- **VERY SMALL PHASE DELAY**
- **GAIN ADJUSTABLE FROM 10 TO 300**
- **NO FREQUENCY COMPENSATION REQUIRED**

DESCRIPTION

NEC's UPC1663GV is a video amplifier with differential input and output stages. A high frequency process ($f_T = 6$ GHz) improves AC performance compared with industry-standard video amplifiers. This device is excellent as a sense amplifier for high-density CCDs, as a video or pulse amplifier in high-resolution displays, and in communications equipment.



ELECTRICAL CHARACTERISTICS ($T_A = 25^\circ\text{C}$, $V_{CC} = \pm 6$ V, $R_S = 50 \Omega$, $f = 10$ MHz)

PART NUMBER PACKAGE OUTLINE			UPC1663GV S08		
SYMBOLS	PARAMETERS AND CONDITIONS	UNITS	MIN	TYP	MAX
I_{CC}	Power Supply Current	mA		13	20
A_{vd}	Differential Voltage Gain: Gain ¹ Gain ²		200 8	320 10	500 12
BW	Bandwidth (Gain is 3 dB down from the gain at 100 KHz)	Gain ¹ Gain ²		120 700	
t_R	Rise Time, $V_{OUT} = 1V_{p-p}$:	Gain ¹ Gain ²		2.9 2.7	
t_{pd}	Propagation Delay, $V_{OUT} = 1 V_{p-p}$:	Gain ¹ Gain ²		2 1.2	
R_{IN}	Input Impedance:	Gain ¹ Gain ²		4.0 180	
C_{IN}	Input Capacitance			2	
I_{IO}	Input Offset Current			0.4	5.0
I_B	Input Bias Current			20	40
V_N	Input Noise Voltage, 10 k to 10 MHz			3	
V_I	Input Voltage Range		± 1.0		
CMRR	Common Mode Rejection Ratio, $V_{cm} = \pm 1$ V, $f \leq 100$ kHz $V_{cm} = \pm 1$ V, $f = 5$ MHz		55 53	94 60	
SVRR	Supply Voltage Rejection Ratio, $\Delta V = \pm 0.5$ V		50	70	
$V_{O(off)}$	Output Offset Voltage, $V_{O(off)} = I_{OUT1} - I_{OUT2}$ Gain ¹ Gain ²			0.3 0.1	1.5 1.0
$V_{O(CM)}$	Output Common Mode Voltage		2.4	2.9	3.4
V_{OP-p}	Max. Output Voltage Swing, Single-ended		3.0	4.0	
I_{sink}	Output Sink Current		2.5	3.6	

Notes:

1. Gain select pins GA and GB are connected together.
2. All gain select pins are open.
3. Insert adjustment resistor (0 to 10 k Ω) between GA and GB when variable gain is necessary.

ABSOLUTE MAXIMUM RATINGS¹ (T_A = 25°C)

SYMBOLS	PARAMETERS	UNITS	RATINGS
V _C -V _E	Voltage between V _C and V _E	V	-0.3 to 14
P _T	Total Power Dissipation ²	mW	200
V _{ID}	Differential Input Voltage	V	±5
V _{IN}	Input Voltage	V	±6
I _O	Output Current	mA	35
T _{OP}	Operating Temperature	°C	-45 to +75
T _{STG}	Storage Temperature	°C	-55 to +150

Notes:

1. Operation in excess of any one of these parameters may result in permanent damage.
2. Mounted on 50 cm x 50 cm x 1.6 mm glass epoxy PCB with copper film (T_A = Max T_{OP}).

RECOMMENDED OPERATING CONDITIONS (T_A = 25°C)

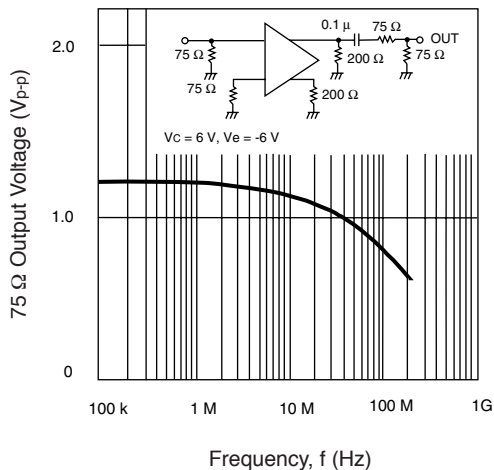
SYMBOLS	CHARACTERISTICS	UNITS	MIN	TYP	MAX
V _C	Positive Supply Voltage	V	+2	+6	+6.5
V _E	Negative Supply Voltage	V	-2	-6	-6.5
I _{O source}	Source Current	mA			20
I _{O sink}	Sink Current	mA			2.5
	Frequency Range	MHz	DC		200

Attention:

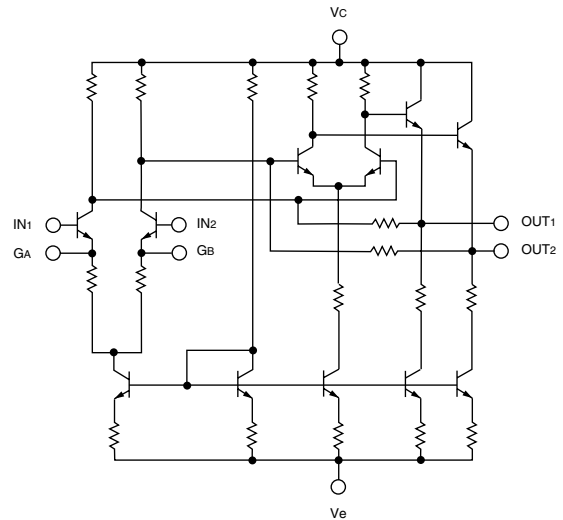
Due to high frequency characteristics, the physical circuit layout is very critical. Supply voltage line bypass, double-sided printed-circuit board, and wide-area ground line layout are necessary for stable operation. Two signal resistors connected to both inputs and two load resistors connected to both outputs should be balanced for stable operation.

TYPICAL PERFORMANCE CURVES (T_A = 25°C)

VIDEO LINE SINGLE ENDED OUTPUT VOLTAGE SWING vs. FREQUENCY



EQUIVALENT CIRCUIT

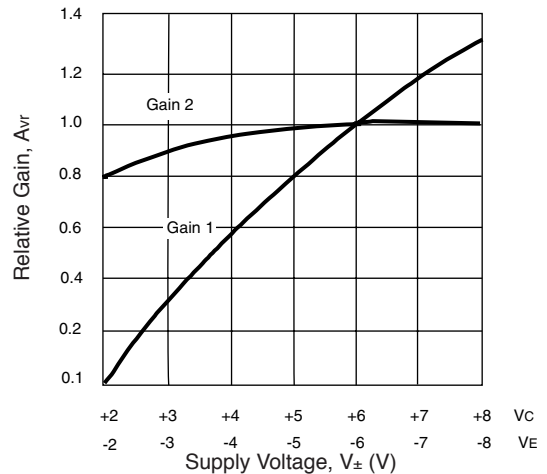


TYPICAL PERFORMANCE UNDER SINGLE SUPPLY +5 V OPERATION*

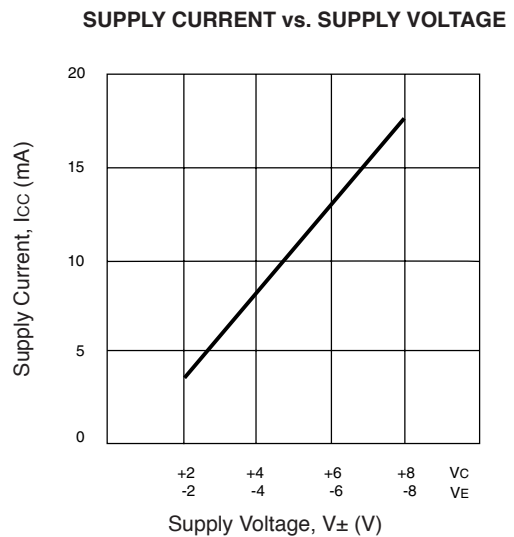
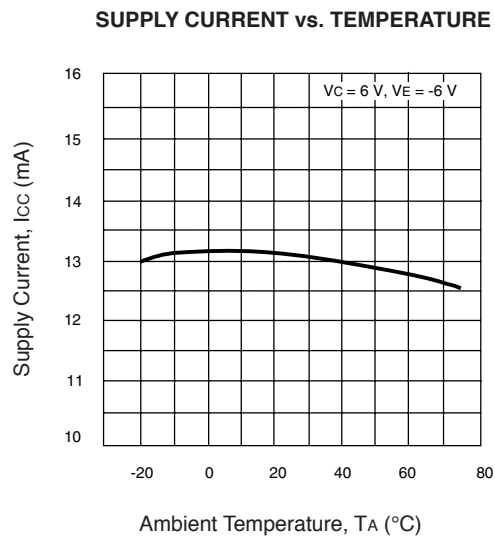
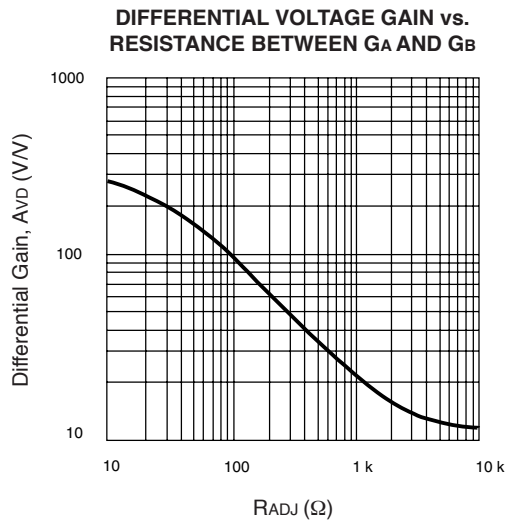
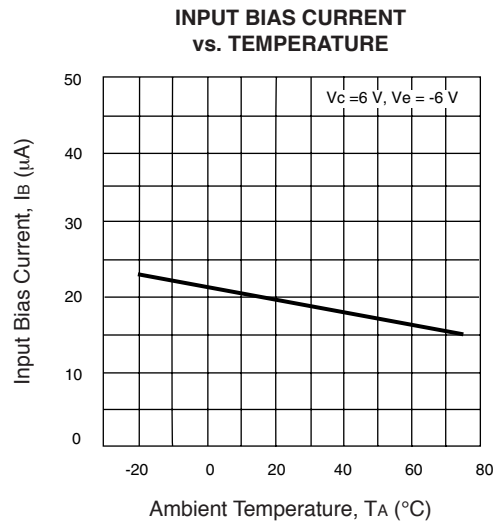
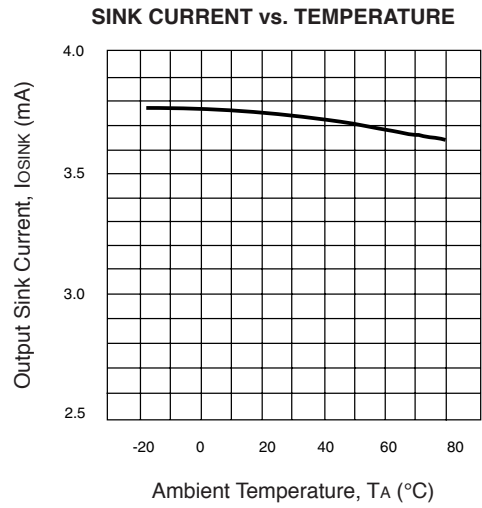
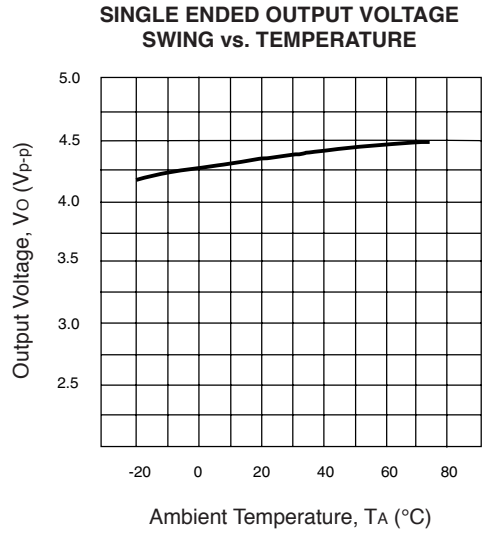
PARAMETER	CONDITIONS	TYPICAL	UNITS
Differential Gain Gain 1 Gain 2	15 MHz	35 11	dB dB
Bandwidth Gain 1 Gain 2	Gain is 3 dB down from the gain at 100 KHz	106 115	MHz MHz
Rise Time Gain 1	R _S = 50 Ω, V _{OUT} = 80 mVp-p	2.2	ns
Propagation Delay Gain 1 Gain 2	R _S = 50 Ω, V _{OUT} = 80 mVp-p R _S = 50 Ω, V _{OUT} = 60 mVp-p	2.8 1.8	ns ns
Phase Shift Gain 1 Gain 2	100 MHz	-123 -93	degree degree
Output Power R _A = 240 Ω R _A = 910 Ω R _A = 80 Ω	Z _L = 50 Ω, 15 MHz	5.0 0 -11.5	dBm dBm dBm

* See Application Circuit

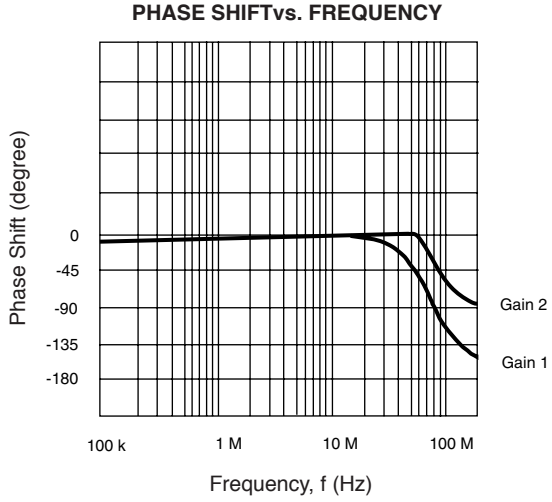
NORMALIZED VOLTAGE GAIN vs. SUPPLY VOLTAGE



TYPICAL PERFORMANCE CURVES ($T_A = 25^\circ\text{C}$)

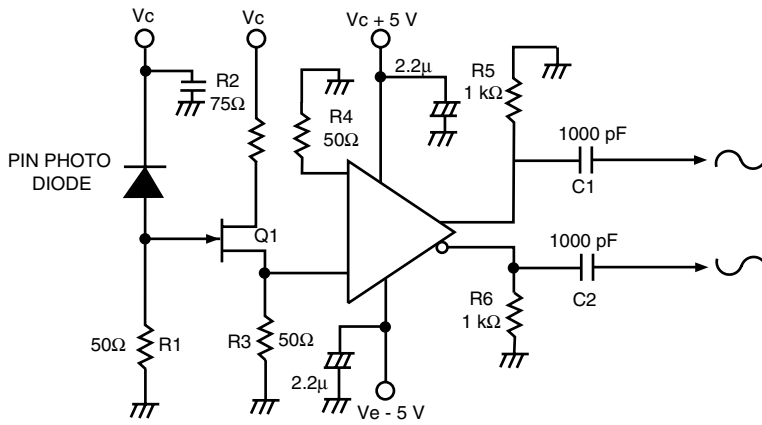


TYPICAL PERFORMANCE CURVES (TA = 25°C)



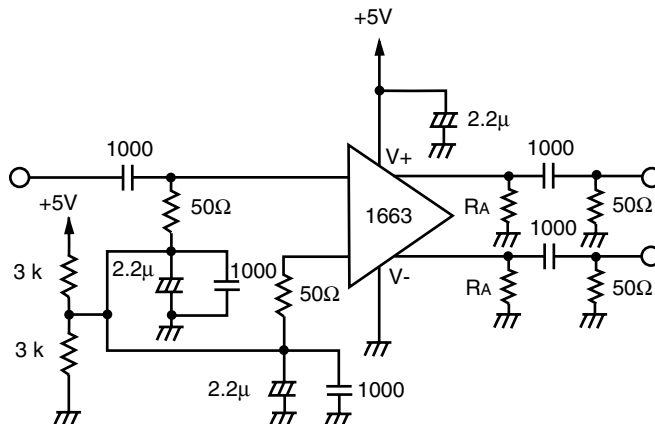
TYPICAL APPLICATIONS

• Photo Signal Detector



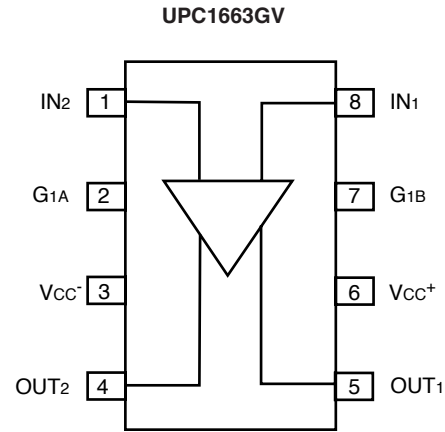
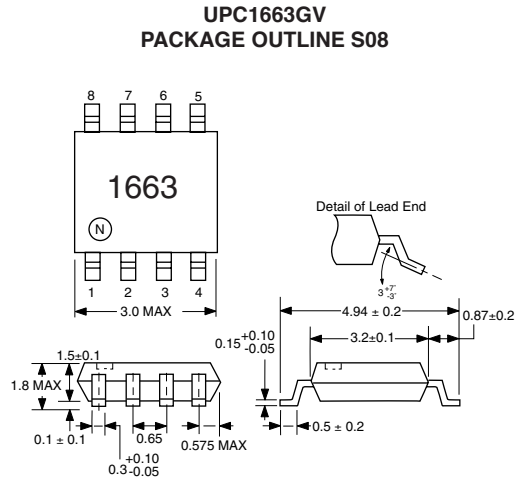
Since the input impedance of the IC falls when the gain rises, stable operation can be achieved by inserting a FET buffer when necessary as illustrated above.

• Application for +5 V Single Supply



OUTLINE DIMENSIONS (Units in mm)

CONNECTION DIAGRAM (TOP VIEW)



Notes:

1. Each lead centerline is located within 0.12 mm (0.005 inch) of its true position at maximum material condition.
2. All dimensions are typical unless otherwise specified.

ORDERING INFORMATION

PART NUMBER	QUANTITY
UPC1663GV-E1-A	1000/Reel

PIN DESCRIPTION

Pin No.	Pin Name	In single Bias (V)	In single bias (V)	Functions and Applications	Internal Equivalent Circuit
8 1	IN ₁ IN ₂	Pin voltage	Apply voltage	Input pin	<p>Internal circuit constants should be referred to application note.</p>
5 4	OUT ₁ OUT ₂	0 Pin voltage 0	V _{cc} /2 Apply voltage V _{cc} /2	Output pin	
6	V _{cc} ⁺	±2 to ±6.5	-0.3 to +14	Plus voltage supply pin. This pin should be connected with bypass capacitor to minimize AC impedance.	
3	V _{cc} ⁻		GND	Minus voltage supply pin. This pin should be connected with bypass capacitor to minimize AC impedance.	
7 2	G1A G1B	—	—	Gain adjustment pin. External resistor from 0 to 10 kW can be inserted between pin 2 and 7 to determine gain value.	

Life Support Applications

These NEC products are not intended for use in life support devices, appliances, or systems where the malfunction of these products can reasonably be expected to result in personal injury. The customers of CEL using or selling these products for use in such applications do so at their own risk and agree to fully indemnify CEL for all damages resulting from such improper use or sale.